

EMPower Open Cupboard Base - 16"

ITEM # _____

MODEL # _____

NAME # _____

SIS # _____

AIA # _____



169029 (AV16)

EMPower Open Cupboard
Base, 16" wide

Short Form Specification

Item No. _____

EMPower unit to be Electrolux Open Cupboard 16" (406 mm). EMPower unit to be installed below Electrolux top EMPower units. Construction in Stainless Steel. Right-angled side edges to allow flush fitting between EMPower units. Supplied with 6" (150 mm) height adjustable, removable legs. EMPower unit may be installed on castors.

Main Features

- Unit to be installed below Electrolux Professional top models.
- Right-angled side edges to allow flush fitting joints between units, eliminating gaps and possible dirt traps.
- Supplied with 6" (150 mm) height adjustable, removable legs.
- Unit may be installed on casters.
- Base compartment for storage of pots, pans, sheet pans, etc.
- Included Accessories: 4 pins for connection to top units.

Construction

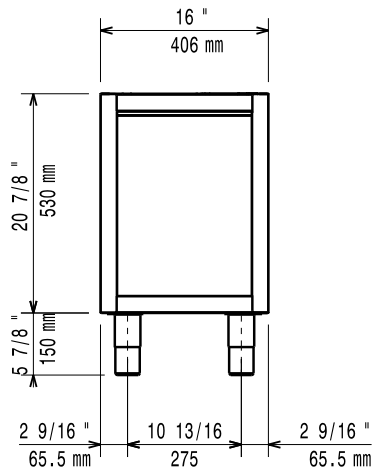
- Constructed in Stainless steel with Scotch Brite finish to meet the highest hygiene standards.
- 4 screws to install top unit on the cupboard base are supplied with the top units.
- Height adjustable feet.

Optional Accessories

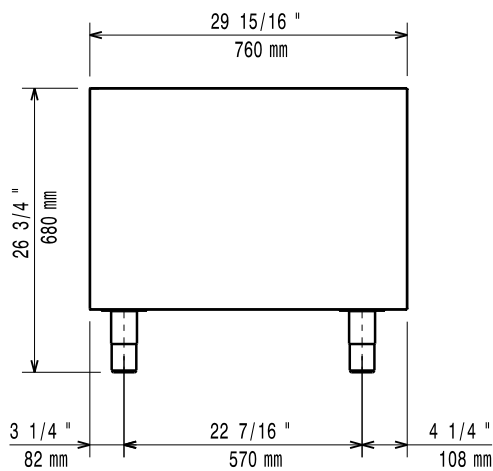
- Kit connecting bases - 2 plates and 2 wheels - 1 with brake. Suitable for pasta cookers, open bases and convection oven base PNC 169041
- EMPower portioning shelf 12" PNC 169173
- EMPower portioning shelf 16" PNC 169174
- Kit 4 wheels - 2 swiveling with brake PNC 206135

APPROVAL: _____

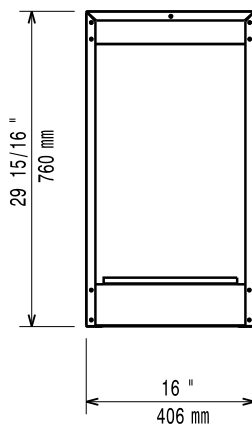
Front



Side



Top


Key Information:
External dimensions, Width:
169029 (AV16) 16 " (406 mm)

External dimensions, Depth: 29 15/16" (760 mm)

External dimensions, Height: 26 11/16" (678 mm)

Net weight: 33 lbs (15 kg)

Shipping width: 18 1/8" (460 mm)

Shipping depth: 35 7/16" (900 mm)

Shipping height: 33 1/16" (840 mm)

Shipping weight: 57 lbs (26 kg)

Shipping volume: 12.28 ft³ (0.35 m³)